



# DC ENERGY METER

## Accurate and Reliable Measurement of the Electrical & Process Parameters

With the increasing impetus to renewable energy, the need for DC instruments has been on increase. Keeping this in mind, CECPL brings to you a range of DC. Measuring Instruments for measuring DC parameters like V, I, KW and KWH. Further to optimise on space and leveraging the latest microprocessor based technology, it is now possible to measure the energy KWH on multiple channels in a single instrument. Hence, we offer 1 / 2 / 3 / 4 channel DC energy measurement in a single device.



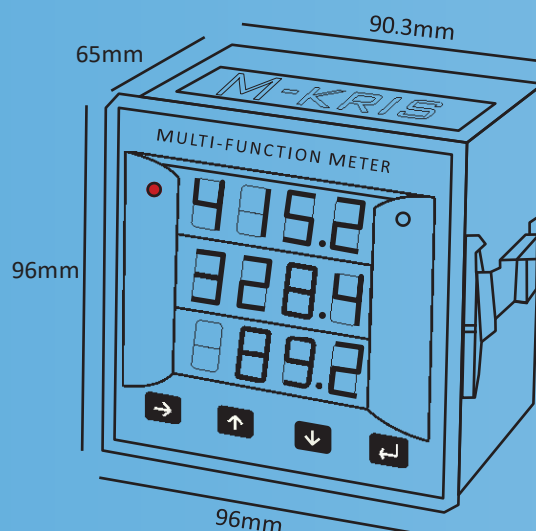
### User benefits:

- Microprocessor based technology ensuring accuracy and reliability of measurements
- Option to measure kwh of 1/2/3/4 channels (shunt operated or Hall Effect Sensor inputs)
- Modbus RS485 RU protocol
- Easy to use menu for setting shunt value, device id, baudrate etc.
- Password protected to prevent unauthorised access
- Option to reset energy parameter to zero (password protected)
- Wide range of aux. supplies: 12VDC to 265VDC, 80-265VAC/DC

### Specifications:

VOLTAGE	0-110/ 0-300/ 0-500/ 0-600 V
CURRENT	-/5 A, -/1A
ACCURACY	1% of full scale
ACTIVE POWER	0-9999 kW/MW
ELECTRICAL ENERGY	0-9999999 kWh/MMH
HUMIDITY	< 95% RH ( non condensing)
OPERATING TEMPERATURE RANGE	-20°C to +55°C
MOUNTING	Flush mount 7g (clamps provided)
DIMENSIONS	96x96x65 mm

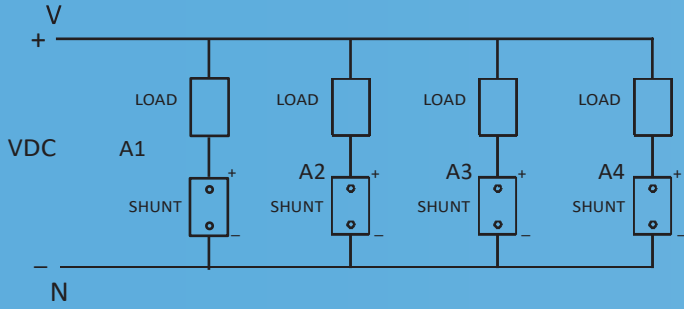
### Dimensions



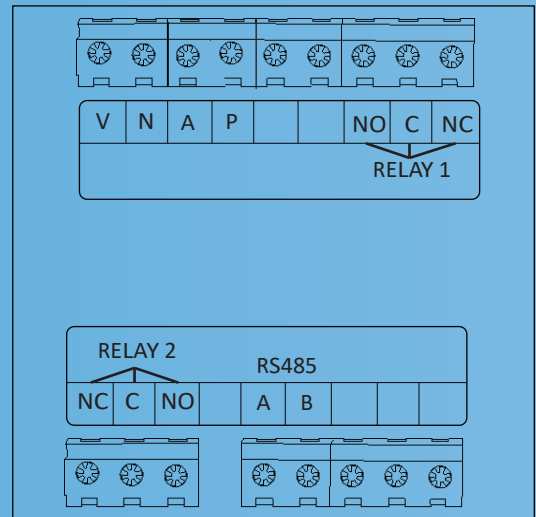
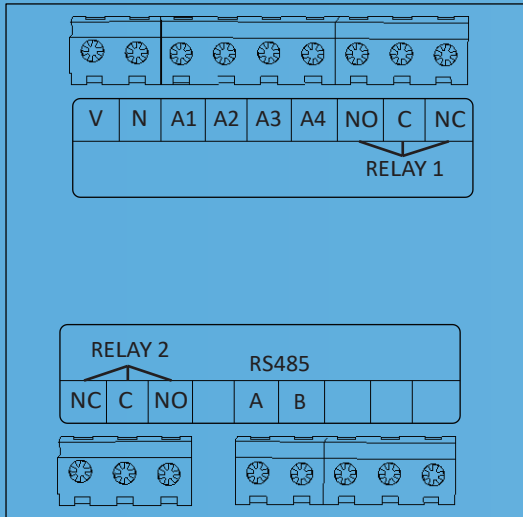
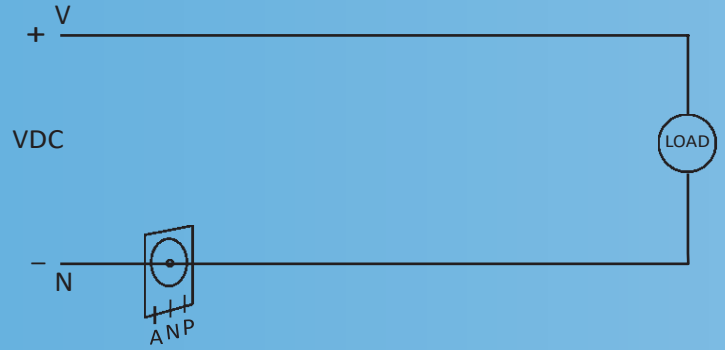


# Circuit Diagrams

## 4 CHANNEL DC ENERGY METER



## SINGLE CHANNEL HALL EFFECT CT DC ENERGY METER



### NOTE:

1. SEPARATE AUX. SUPPLY OPTION ALSO AVAILABLE (220VAC, 80-265VAC/DC)
- \* HALL EFFECT CT: P : AUX. SUPPLY (5VDC)  
N : GROUND  
A : CT SIGNAL OUTPUT
2. 4 CHANNEL HALL EFFECT CT BASED DC ENERGY METER ALSO AVAILABLE AS AN OPTION



Cloud based and offline Energy Monitoring Systems | IoT Solutions | Digital Panel Meters | Temperature Controllers  
PID Controllers | Motor Protection Relays | Voltage Monitoring Relays | Current Transformers

## Control Electric Co. Pvt. Ltd.

A-80, Sector-80, Phase-2, Noida, Uttar Pradesh 201305

Web:-[www.controlelectricco.com](http://www.controlelectricco.com)

Email:-[ceo@plcpanel.com](mailto:ceo@plcpanel.com)